

## Features and Benefits

- Lightweight, thermoplastic design resists process and atmospheric corrosion.
- Pressure rating 150 psi max for 1-1/2 - 3", 100 psi for 4" (non-shock water at 73° F).
- Blue ABS impact resistant molded, replaceable handle
- PVC with EPDM o-rings and seats.
- Blocked seat carrier

*NOTE: For industrial and chemical process piping, Colonial recommends the Full Block® Series TUBV with Teflon® Seats., and Full Port Sch 80 design.*

Designed for swimming pool, pond, irrigation, and other water applications with low concentrations of chlorine or other additives. Sizes 1-1/2 & 2" are now MKIII series. The dimensional chart on the back side of this brochure has been updated for these changes.



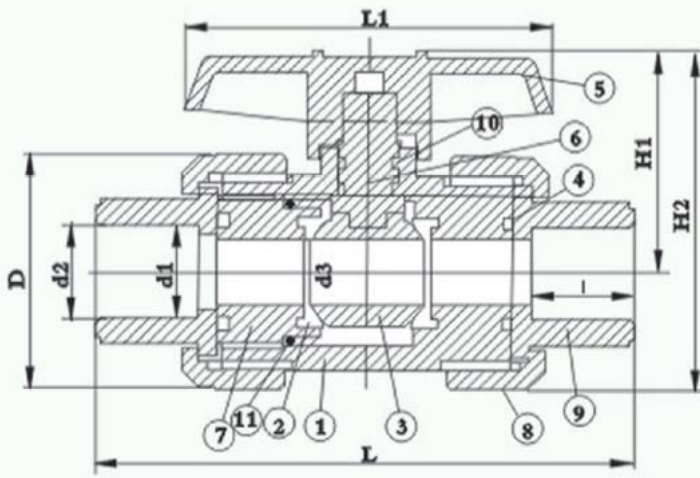
1-1/2 & 2" MKIII Type



2-1/2 - 4" Type



REV\_020713



Materials

ITEM	DESCRIPTION	MATERIAL
1	Body	PVC
2	Seat Seal	TPE
3	Ball	PVC
4	Face O-rings	EPDM
5	Handle	PP
6	Stem	PVC
7	Carrier	PVC
8	Union Nuts	PVC
9	End Connectors	PVC
10	Stem o-rings	EPDM
11	Carrier o-rings	EPDM

Dimensions (Updated in bold print for MKIII sizes 1-1/2 & 2")

SIZE	1-1/2"	2"	2-1/2"	3"	4"
l	1.38	1.73	1.73	2.05	2.36
ø d 1	1.89	2.37	2.87	3.49	4.49
ø d 2	1.91	2.39	2.89	3.52	4.52
ø d 3*	<b>1.51</b>	<b>1.91</b>	2.29	2.93	3.52
ø D	<b>3.70</b>	<b>4.54</b>	5.26	6.61	7.67
L	<b>5.64</b>	<b>6.79</b>	8.41	9.82	11.30
L 1	<b>4.67</b>	<b>5.70</b>	6.30	7.09	7.89
H1	<b>3.48</b>	<b>4.00</b>	4.82	5.91	6.59
H2	<b>5.42</b>	<b>6.48</b>	7.45	9.22	9.24

Temperature / pressure de-rating

Temp (°F)	PVC
73	1.00
80	.88
90	.75
100	.62
110	.50
120	.40
130	.30
140	.22
150	NR
160	NR

Size	Part Number	Master Ctn Qty	Working Pressure*	Replacement Handles
Socket & Threaded End Connectors				
1-1/2"	V17801N	24	150 psi	V17801K
2"	V20801N	12	150 psi	V20801K
2-1/2"	V27801N	6	150 psi	V27801K
Soc x Soc				
3"	V30801N	4	150 psi	V30801K
4"	V40801N	1	100 psi	V40801K
TxT				
3"	V30811N	4	150 psi	V30801K
4"	V40811N	1	100 psi	V40801K

\*non-shock water at 73°F



**COMPRESSED AIR WARNING**

The products in this document are only intended for use in transferring or storing chemically compatible pressurized liquids. **Do not test or use products in this document with compressed air or other gases.** Doing so is dangerous and could cause injury or great bodily harm should a system fail under compressed air. Only use products that are specifically designed for compressed air/gas service. Call Colonial technical service for more information.